

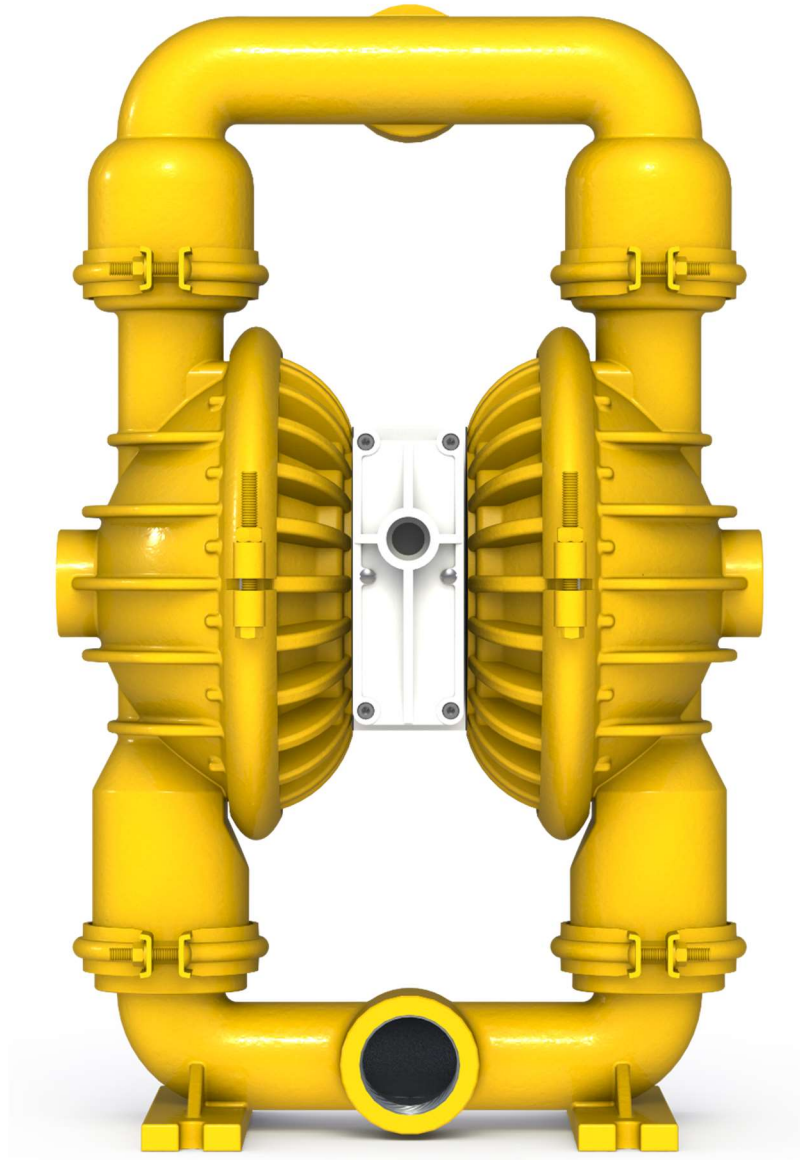


**AIR OPERATED  
DOUBLE  
DIAPHRAGM  
PUMPS**



ISO 9001: 2008  
ISO 14001: 2004

[pricepumps.co.in](http://pricepumps.co.in)



**2" ALUMINIUM PUMP  
AOD 50 PFF AAGP/SAN/NE/N**

[pricepumps.co.in](http://pricepumps.co.in)



# AIR OPERATED DOUBLE DIAPHRAGM PUMPS



ISO 9001: 2008  
ISO 14001: 2004

[pricepumps.co.in](http://pricepumps.co.in)

## SECTION 1- LEGEND

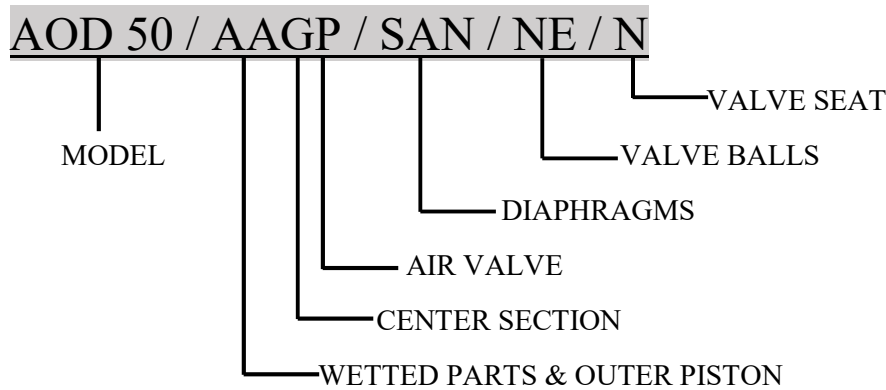
2" ALUMINIUM PUMP

AOD 50/AAGP/SAN/NE/N

### MODEL: AOD 50 PFF ALUMINIUM

51mm (2") Pump

Maximum Flow Rate: 681 Lpm (180 gpm)



### MATERIAL CODES

MODEL  
AOD 50 = 2" PUMP

AIR VALVE  
P = POLYPROPYLENE

VALVE BALL  
NE = NEOPRENE

WETTED PARTS & OUTER PISTON  
AA = ALUMINIUM/  
ALUMINIUM

DIAPHRAGMS  
SAN = SANTOPRENE

VALVE SEAT  
N = NEOPRENE

CENTER SECTION  
G = GLASS FILLED  
POLYPROPYLENE



# AIR OPERATED DOUBLE DIAPHRAGM PUMPS



ISO 9001: 2008  
ISO 14001: 2004

[pricepumps.co.in](http://pricepumps.co.in)

## SECTION 2 – SPARE PART LIST

2” ALUMINIUM PUMP

AOD 50/AAGP/SAN/NE/N

SR No.	DISCRIPTION	PART No	QTY
1	LIQUID CHAMBER	50-1002-01	2
2	SUCTION MANIFOLD	50-1021-01	1
3	DISCHARGE MANIFOLD	50-1031-01	1
4	NRV BALL	50-1041-51	4
5	BALL SEAT	50-1081-51	4
6	SEAT ENVELOP GASKET	N/A	-
7	HOLDING PLATE	50-1112-01	2
8	LOCK NUT	50-1132-01	2
9	DIAPHRAGM	50-2042-58	2
10	BACK UP DIAPHRAGM	N/A	-
11	SUCTION DISCHARGE CLAMP	50-1222-61	8
12	CHAMBER CLAMP	50-1232-61	4
13	CENTER BLOCK	40-1301-23	1
14	REDUCER	40-1376-21	1
15	CENTER BLOCK PATTI	40-1319-03	4
16	CENTER BLOCK PIPE	40-1318-03	4
17	CENTER BLOCK O RING	40-3155-56	4
18	MAIN SHAFT	50-1341-03	1
19	AIR COVER GASKET	40-3311-51	2
20	AIR COVER	50-1402-01	2
21	PILOT BUSH	40-1471-07	1
22	PILOT SHAFT	40-1451-03	1
23	PILOT BUSH O RING	40-3161-51	4
24	PILOT SHAFT O RING	15-3176-56	4
25	PILOT SHAFT LOCK O RING	40-3181-51	2



# AIR OPERATED DOUBLE DIAPHRAGM PUMPS



ISO 9001: 2008  
ISO 14001: 2004

[pricepumps.co.in](http://pricepumps.co.in)

## SECTION 2 – SPARE PART LIST (CONTINUED...)

2" ALUMINIUM PUMP

AOD 50/AAGP/SAN/NE/N

SR NO.	DISCRIPTION	PART NO.	QTY
26	PISTON BLOCK	40-1501-20	1
27	PISTON	40-1521-69	1
28	PISTON/CAP O RING BIG	40-3201-51	2
29	PISTON O RING SMALL	40-3222-51	4
30	PISTON RING BIG	40-3241-68	1
31	PISTON RING SMALL	40-3246-68	4
32	PISTON BLOCK CAP	40-1571-20	1
33	PISTON BLOCK COVER	40-1561-20	1
34	PISTON BLOCK GASKET	40-3321-51	1
35	PISTON BLOCK COVER GASKET	40-3331-51	1
36	EXHAUST	40-1366-23	1
37	AIR NIPPLE	50-1371-07	1
38	3/8" X 90 MM HEX BOLTS SS (CHAMBER BOLTS)	04-6024-03	4
39	3/8 X 19 X 6 MM MS WASHER (CHAMBER)	04-6208-61	8
40	5/16" X 45 MM CARRIAGE BOLTS SS (SUC/DIS)	04-6035-03	8
41	3/8" X 1 1/4" HEX BOLTS SS (AIR COVER)	04-6016-03	8
42	3/8 X 20.7 X 1.5 MM SS WASHER (CHAMBER)	04-6210-03	4
43	3/8 MS HEX NUT	04-6304-61	8
44	1/4" X 4" ALLEN BOLTS MS (P B)	04-6005-61	4
45	P B SCREW MS	04-6321-61	2
46	5/8 X 35 X 3 MM MS WASHER (H P)	04-6217-61	2
47	3/8 X 3 MM SS WASHER (AIR COVER)	04-6206-03	8



# AIR OPERATED DOUBLE DIAPHRAGM PUMPS



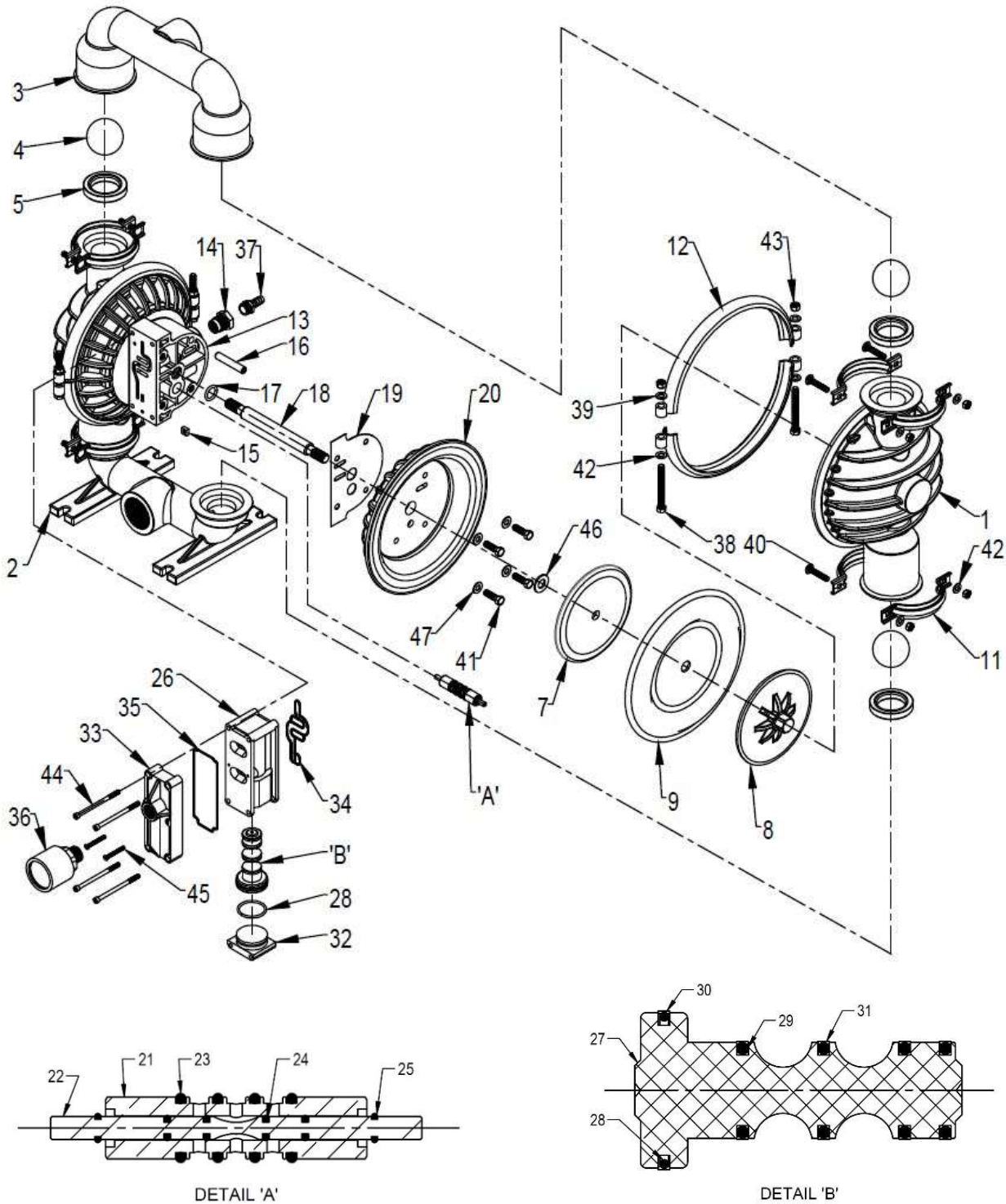
ISO 9001: 2008  
ISO 14001: 2004

pricepumps.co.in

## SECTION 3 – EXPLODED VIEW

2" ALUMINIUM PUMP

AOD 50/AAGP/SAN/NE/N





# AIR OPERATED DOUBLE DIAPHRAGM PUMPS



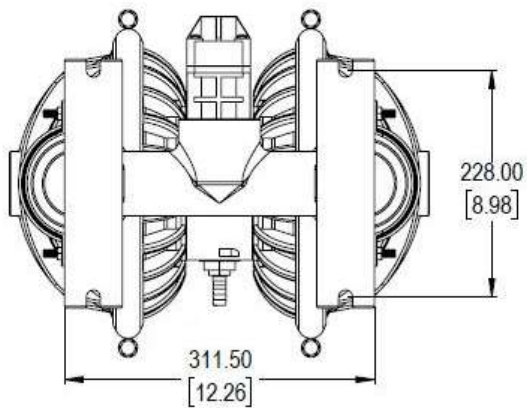
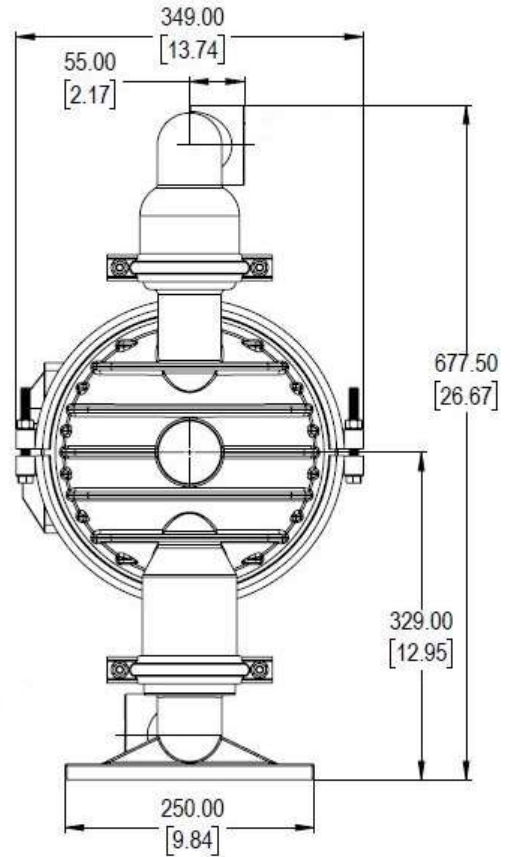
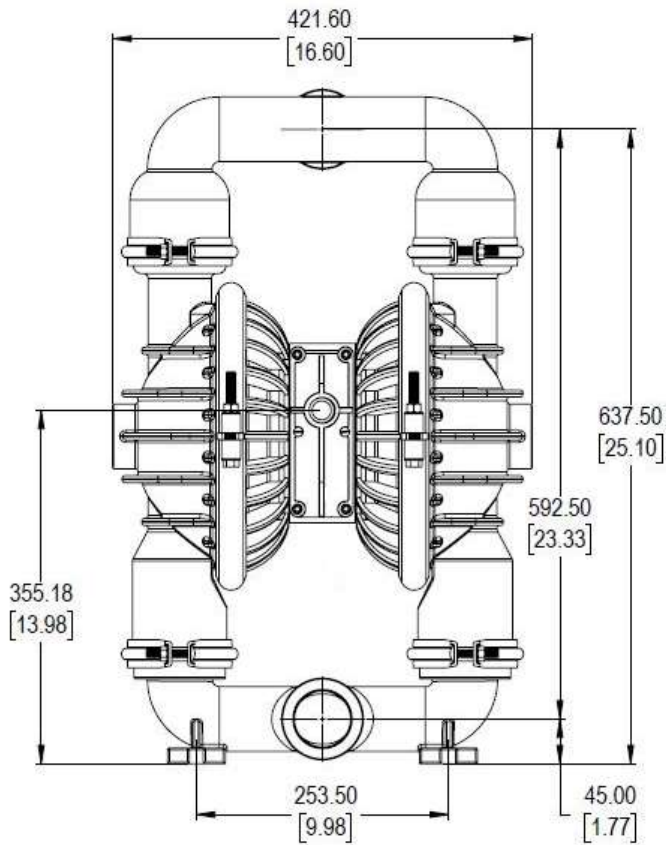
ISO 9001: 2008  
ISO 14001: 2004

[pricepumps.co.in](http://pricepumps.co.in)

## SECTION 4 – DIMENSIONAL DRAWING

2" ALUMINIUM PUMP

AOD 50/AAGP/SAN/NE/N





# AIR OPERATED DOUBLE DIAPHRAGM PUMPS



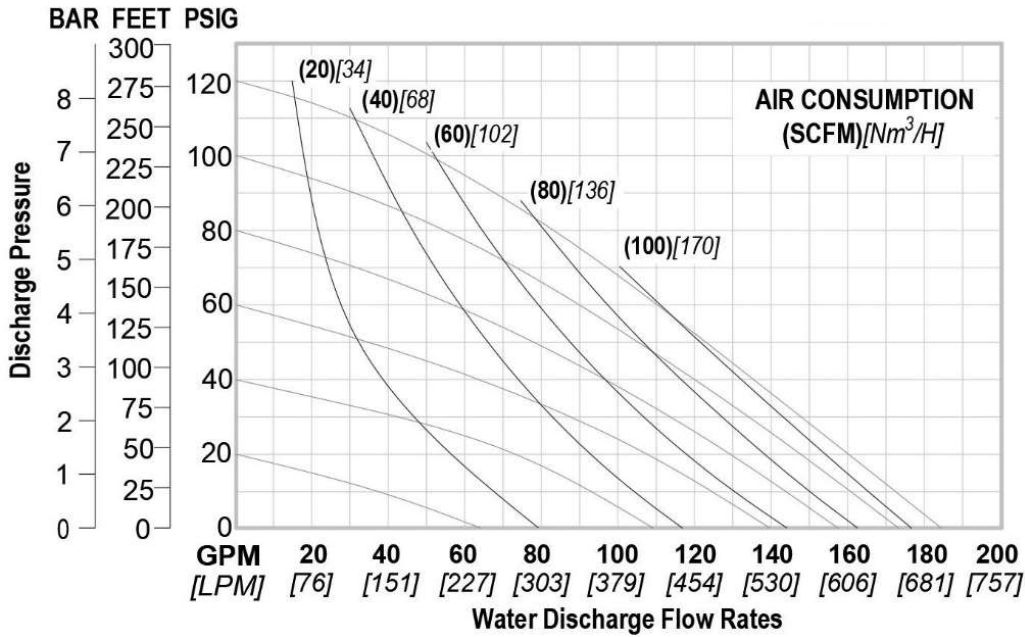
ISO 9001: 2008  
ISO 14001: 2004

pricepumps.co.in

## SECTION 5 – SPECIFICATION & PERFORMANCE

2" ALUMINIUM PUMP

AOD 50/AAGP/SAN/NE/N



### SPECIFICATIONS:

MAX FLOW RATE:	681 Lpm (180 gpm)
MAX AIR PRESSURE:	105 PSI (7 Bar)
AIR INLET:	13 mm (1/2" BSP)
PORT INLET:	51 mm (2" BSP)
DISCHARGE:	51 mm (2" BSP)
SUCTION LIFT: DRY:	7.2 m (23.8')
WET:	9.0 m (29.5')
MAX PARTICLE SIZE:	(Dia) 6.4 mm (1/4")
AIR EXHAUST:	(3/4" BSP)

### SHIPPING DIMENSIONS:

HEIGHT:	740mm (29.13")
WIDTH:	370mm (14.56")
LENGTH:	440mm (17.32")
WEIGHT:	32.5 Kgs

Price Pumps meet ISO 9001-2015, ISO 14001 & CE quality standards.



**AIR OPERATED  
DOUBLE  
DIAPHRAGM  
PUMPS**



ISO 9001: 2008  
ISO 14001: 2004

[pricepumps.co.in](http://pricepumps.co.in)

**NOTES:**